



User Manual

English

APC Smart-UPS[®] SC

1000/1500 VA
110/120/230 Vac

2U Tower/Rack-Mount
Uninterruptible Power Supply

Introduction

The APC Uninterruptible Power Supply (UPS) is designed to prevent blackouts, brownouts, sags, and surges from reaching your equipment. The uninterruptible power supply (UPS) filters small utility line fluctuations and isolates your equipment from large disturbances by internally disconnecting from the utility line. The UPS provides continuous power from its internal battery until the utility line returns to safe levels or the battery is fully discharged.

1: INSTALLATION

Unpack

Attention: Read the safety instruction sheet before installation.

Inspect the UPS upon receipt. Notify the carrier and dealer if there is damage.

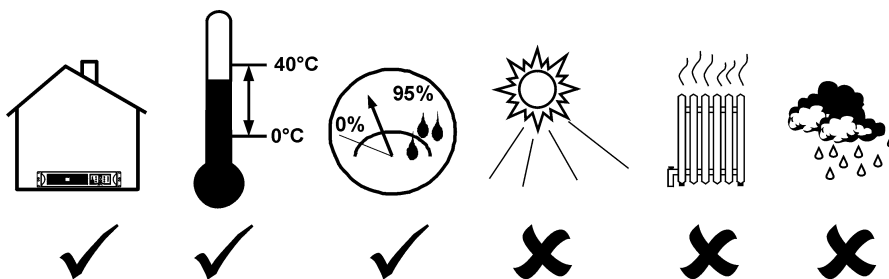
The packaging is recyclable; save it for reuse or dispose of it properly.

Check the package contents:

Attention: The UPS comes with battery disconnected.

- UPS
- UPS literature kit containing:
 - Product documentation, safety and warranty information
 - Smart-UPS® User Manuals CD
 - PowerChute Business Edition® CD
 - Serial communication cable
 - Rack-mounting hardware
 - 230 V models*: Two jumper cables

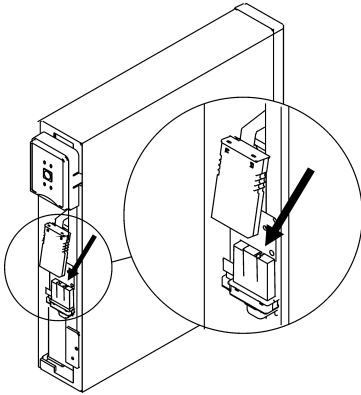
Position the UPS



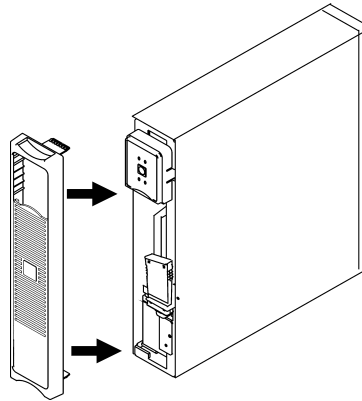
Tower Configuration

Note: Illustrations in this document may appear different than the actual hardware.

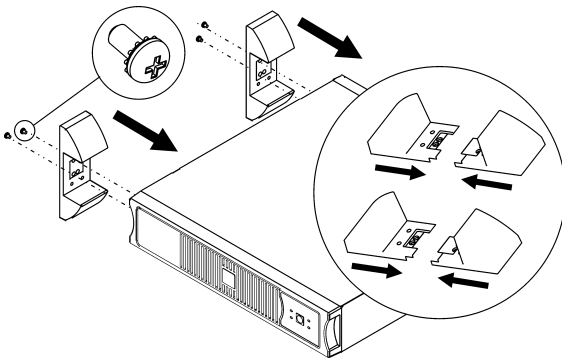
1



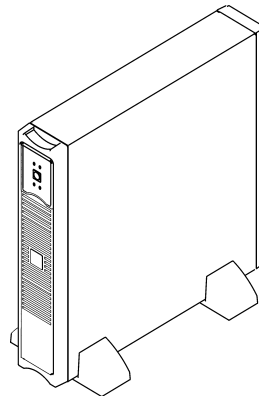
2



3

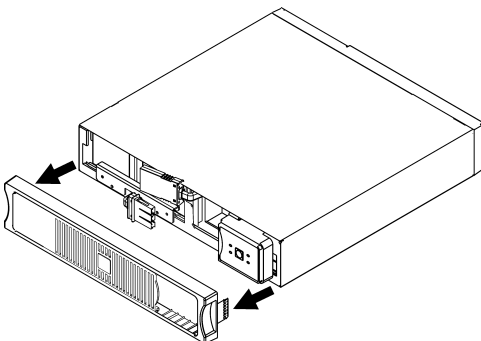


4

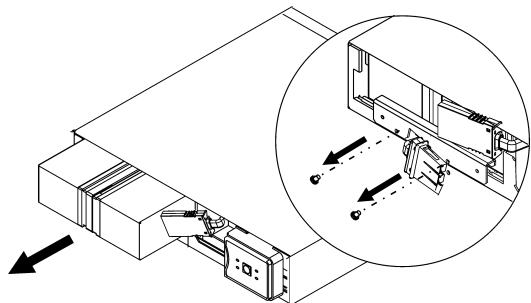


Mount the UPS in a Two-Post Rack

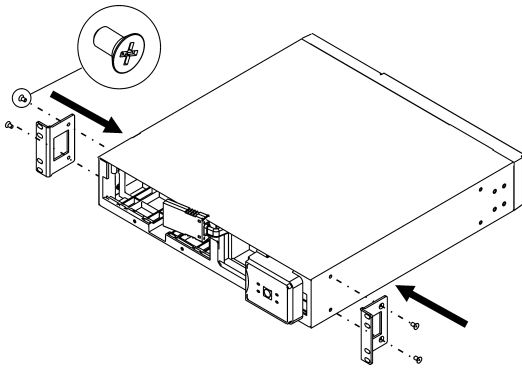
1



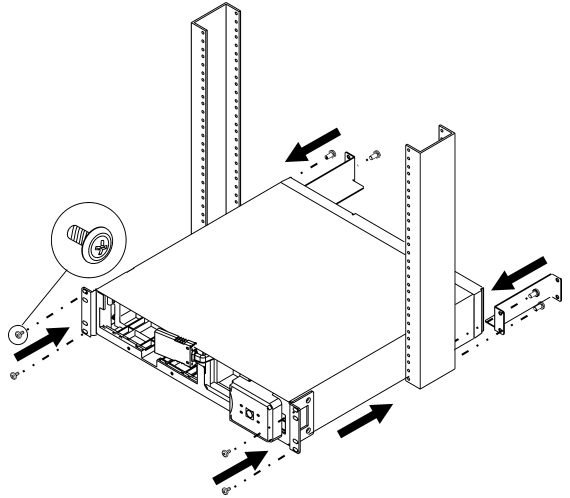
2 Remove battery bracket screws, battery bracket, and battery.



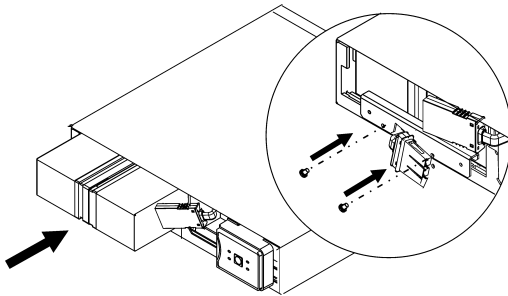
3



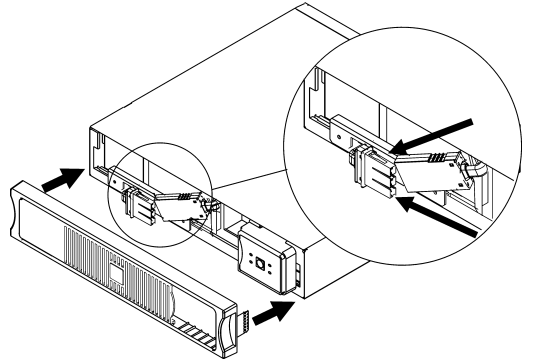
4 Note: For information on the four-post rack-mounting kit, see www.apc.com.



5 Reinstall battery, battery bracket, and screws.



6

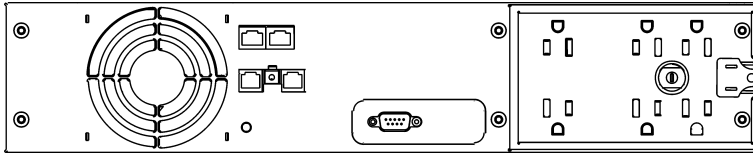


2: START UP

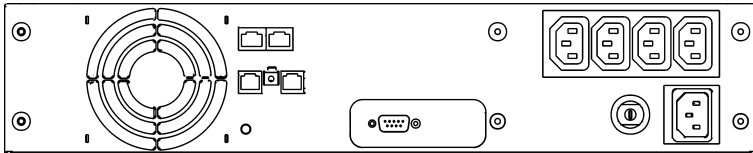
Connect Equipment to the UPS

Rear Panels

110/120 V:



230 V:

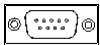


- Note: A laser printer draws significantly more power than other types of equipment and may overload the UPS.

Connect the UPS to the Network (if Applicable)

Network Connectors

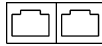
Serial Port



Modem/Telephone/Fax Ports



Network Surge Suppression Ports




Use only interface kits approved by APC.

Use only the supplied cable to connect to the Serial Port. A standard serial interface cable is incompatible with the UPS.

The UPS features modem/telephone/fax surge suppression ports. Connect a single modem/telephone/fax line into the RJ-11 modem/telephone/fax surge protection IN jack on the back of the UPS. Use telephone cabling (not supplied) to connect the OUT jack to a modem/telephone/fax port.

The UPS also features network surge suppression. Connect a single line 10 Base-T/ 100 Base-Tx network cable into the RJ-45 network surge protection IN jack on the back of the UPS. Use network cabling (not supplied) to connect the OUT jack to a network port.

Start the UPS

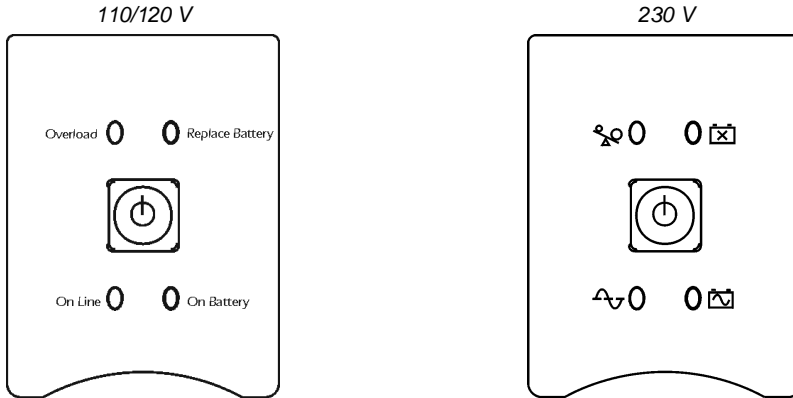
1. Plug the UPS into a two-pole, three-wire, grounded receptacle only. Avoid using extension cords. *110/120 V models:* The power cord is attached to the UPS. The input plug is a NEMA 5-15P. *230 V models:* The power cord is supplied in the UPS literature kit.
2. *110/120 V models:* Check the *site wiring fault* LED  located on the rear panel. It will be illuminated if the UPS is plugged into an improperly wired utility power outlet (see *Troubleshooting*).
3. Turn on all connected equipment. To use the UPS as a master *on/off* switch, be sure all connected equipment is on.
4. Press the button on the front panel to power the UPS.




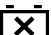
Note: The battery charges fully during the first four hours of normal operation. Do not expect full battery run capability during this initial charge period. Refer to www.apc.com for on battery runtimes.



5. For optimal computer system protection, install PowerChute Business Edition management software to fully configure UPS shutdown and alarm settings.

3: OPERATION

Front Display Panel



| INDICATOR | DESCRIPTION |
|--|---|
| On Line  | The UPS is supplying utility power to the connected equipment. |
| On Battery  | The UPS is supplying battery power to the connected equipment. |
| Overload  | The connected loads are drawing more than the UPS power rating. |
| Replace Battery/ Battery Disconnected  | The battery is disconnected or must be replaced. |

| FEATURE | FUNCTION |
|---|---|
| Power On  | Press this button to turn the UPS on or off. (Read on for additional capabilities.) |
| Self-Test | The UPS performs a self-test automatically when turned on, and every two weeks thereafter (by default). During the self-test, the UPS briefly operates the connected equipment on battery. |
| Cold Start | Supply battery power to the UPS and connected equipment in the absence of utility voltage (see <i>Troubleshooting</i>). Press the  button for one second and release. The UPS will beep briefly and go quiet. Press and hold the button again, but for approximately three seconds. The unit will emit a sustained beep. Release the button during this beep. |

4: USER CONFIGURABLE ITEMS

| NOTE: SETTINGS ARE ADJUSTED THROUGH POWERCHUTE SOFTWARE | | | |
|--|------------------------------|---|---|
| FUNCTION | FACTORY DEFAULT | USER SELECTABLE CHOICES | DESCRIPTION |
| Self-Test | Every 14 days (336 hours) | Every 7 days (168 hours), Every 14 days (336 hours), On Startup Only, No Self-Test | Set the interval at which the UPS will execute a self-test. |
| UPS ID | UPS_IDEN | Up to eight characters (alphanumeric) | Uniquely identify the UPS, (i.e. server name or location) for network management purposes. |
| Date of Last Battery Replacement | Manufacture Date | mm/dd/yy | Reset this date when you replace the battery module. |
| Minimum Capacity Before Return from Shutdown | 0 percent | 0, 15, 50, 90 percent | Specify the percentage to which batteries will be charged following a low-battery shutdown before powering connected equipment. |
| Voltage Sensitivity The UPS detects and reacts to line voltage distortions by transferring to battery operation to protect connected equipment. | High | High sensitivity, Medium sensitivity, Low sensitivity | Note: In situations of poor power quality, the UPS may frequently transfer to battery operation. If the connected equipment can operate normally under such conditions, reduce the sensitivity setting to conserve battery capacity and service life. |
| Alarm Delay After Line Fail | 5 seconds | 5 second delay, 30 second delay, At low battery condition, No alarm | Set the delay to avoid alarms for minor power glitches. |
| Shutdown Delay | 60 seconds | 60, 180, 300, 600 seconds | Set the interval between the time when the UPS receives a shutdown command and the actual shutdown. |

NOTE: SETTINGS ARE ADJUSTED THROUGH POWERCHUTE SOFTWARE

| FUNCTION | FACTORY DEFAULT | USER SELECTABLE CHOICES | DESCRIPTION |
|----------------------------|---|--|--|
| Low Battery Warning | 2 minutes PowerChute Business Edition software provides automatic, unattended shutdown when approximately 2 minutes of battery operated runtime remains. | 2, 5, 7, 10 minutes (Times are approximate.) | The UPS will beep when 2 minutes of battery runtime remains. Change the low battery warning interval setting to the time that the operating system or system software requires to safely shut down. |
| Synchronized Turn-on Delay | 0 seconds | 0, 15, 45, 75 seconds | Specify the time the UPS will wait after the return of utility power before turn-on (to avoid branch circuit overload). |
| High Transfer Point | <i>110/120 V model:</i> 127 Vac <i>230 V model:</i> 253 Vac | <i>110/120 V model:</i> 127, 130, 133, 136 Vac <i>230 V model:</i> 253, 257, 261, 265 Vac | Set the high transfer point higher to avoid unnecessary battery usage when the utility voltage is usually high and the connected equipment is specified to operate with input voltages this high. |
| Low Transfer Point | <i>110/120 V model:</i> 106 Vac <i>230 V model:</i> 208 Vac | <i>110/120 V model:</i> 97, 100, 103, 106 Vac <i>230 V model:</i> 196, 200, 204, 208 Vac | Set the low transfer point lower when the utility voltage is usually low and the connected equipment is specified to operate with input voltages this low. |

5: STORAGE AND MAINTENANCE

Storage

Store the UPS covered in a cool, dry location, with the battery fully charged.

At -15 to +30 °C (+5 to +86 °F), charge the UPS battery every six months.

At +30 to +45 °C (+86 to +113 °F), charge the UPS battery every three months.

Battery Replacement

The UPS battery life differs based on usage and environment. Consider replacing the battery every three years.

This UPS has an easy to replace, hot-swappable battery. Replacement is a safe procedure, isolated from electrical hazards. You may leave the UPS and connected equipment on during the replacement procedure. See your dealer or contact APC (see *Contact Information*) for information on replacement batteries.

Note: Upon battery disconnection, equipment is not protected from power outages.

For the battery replacement procedure, refer to applicable steps in *Mount the UPS in a Rack*.



Be sure to deliver the spent battery to a recycling facility or ship it to APC in the replacement battery packing material.

6: TROUBLESHOOTING, SHIPPING, AND SERVICE

Use the chart below to solve minor UPS installation and operation problems. Refer to www.apc.com with complex UPS problems.

| PROBLEM AND/OR POSSIBLE CAUSE | SOLUTION |
|--|--|
| <i>UPS WILL NOT TURN ON</i> | |
| UPS not connected to utility power supply. | Check that the power cord from the UPS to the utility power supply is securely connected at both ends. |
| Battery not connected properly. | Ensure that the battery is properly connected. |
| Very low or no utility voltage. | Check the utility power supply to the UPS by plugging in a table lamp. If the light is very dim, have the utility voltage checked. |
| <i>UPS WILL NOT TURN OFF</i> | |
| Internal UPS fault. | Do not attempt to use the UPS. Unplug the UPS, disconnect the battery, and have it serviced immediately. |
| <i>UPS BEEPS OCCASIONALLY</i> | |
| Normal operating UPS beeps when running on battery. | None. The UPS is protecting the connected equipment from occasional utility power irregularities. |
| <i>UPS IS NOT PROVIDING EXPECTED BACKUP TIME</i> | |
| The UPS battery is weak due to a recent outage or is near the end of the service life. | Charge the battery. Batteries require recharging after extended outages, and wear faster when frequently put into service or when operated at elevated temperatures. If the battery is near the end of the service life, consider replacing even if the <i>replace battery</i> LED is not yet illuminated. |
| <i>ON-LINE AND OVERLOAD LEDS ARE FLASHING ALTERNATELY</i> | |
| The UPS was shut down through PowerChute. | None. The UPS will restart when utility power returns. |
| <i>ON-LINE AND ON-BATTERY LEDS ARE FLASHING, OR, OVERLOAD LED IS FLASHING</i> | |
| Internal UPS fault. The UPS has shut down. | Do not attempt to use the UPS. Turn off the UPS, unplug the battery, and have it serviced immediately. |
| <i>ALL LEDS ARE OFF AND THE UPS IS PLUGGED INTO A WALL OUTLET</i> | |
| The UPS is shut down or the battery is discharged from an extended outage. | None. The UPS will return to normal operation when the power is restored and the battery has a sufficient charge. |

| PROBLEM AND/OR POSSIBLE CAUSE | SOLUTION |
|---|--|
| THE OVERLOAD LED IS ILLUMINATED AND THE UPS EMITS A SUSTAINED ALARM TONE | |
| The UPS is overloaded. The connected equipment is drawing more VA than the UPS can sustain. | <p>The connected equipment exceeds the specified “maximum load.”</p> <p>The alarm remains on until the overload is removed. Disconnect nonessential equipment from the UPS to eliminate the overload.</p> <p>The UPS continues to supply power as long as it is on-line and the circuit breaker does not trip; the UPS will not provide power from batteries in the event of a utility voltage interruption.</p> <p>If a continuous overload occurs while the UPS is on battery, the unit turns off output in order to protect the UPS from possible damage.</p> |
| THE REPLACE BATTERY/BATTERY DISCONNECTED LED IS ILLUMINATED | |
| This LED flashes and a short beep is emitted every two seconds to indicate the battery is disconnected. | Check that the battery connector is fully engaged. |
| Weak battery. | Allow the battery to recharge for 24 hours. Then, perform a self-test. If the problem persists after recharging, replace the battery. |
| Failure of a battery self-test. | The UPS emits short beeps for one minute and the <i>replace battery</i> LED illuminates. The UPS repeats the alarm every five hours. Perform the self-test procedure after the battery has charged for 24 hours to confirm the <i>replace battery</i> condition. The alarm stops and the LED clears if the battery passes the self-test. |
| THE SITE WIRING FAULT LED ON THE REAR PANEL IS ILLUMINATED (110/120 V MODEL ONLY) | |
| The UPS is plugged into an improperly wired utility power outlet. | <p>Wiring faults detected include missing ground, hot-neutral polarity reversal, and overloaded neutral circuit.</p> <p>Contact a qualified electrician to correct the building wiring.</p> |
| THE INPUT CIRCUIT BREAKER HAS TRIPPED | |
| The UPS is overloaded. The plunger on the circuit breaker has popped out. | Reduce the load on the UPS by unplugging equipment. Press in the plunger on the circuit breaker. |
| UPS OPERATES ON BATTERY ALTHOUGH UTILITY VOLTAGE EXISTS | |
| The UPS input circuit breaker has tripped. | To reduce the load on the UPS, unplug equipment and press in the plunger on the circuit breaker. |
| The line voltage is very high, low or distorted. | Move the UPS to a different outlet on a different circuit, as inexpensive fuel powered generators may distort the voltage. If acceptable to the connected equipment, reduce the UPS sensitivity (see <i>User Configurable Items</i>). |
| ON-LINE LED | |
| There is no illumination. | The UPS is running on battery, or it must be turned on. |
| The LED is blinking. | The UPS is running an internal self-test. |

Shipping and Service

Prepare the UPS for shipping:

Shutdown and disconnect any equipment attached to the UPS. Shut down the UPS, and disconnect the UPS from the utility power outlet. Disconnect the battery.

If the UPS requires service do not return it to the dealer. Follow these steps:

1. Review the problems discussed in *Troubleshooting* to eliminate common problems.
2. If the problem persists, contact APC Customer Service through the APC web site, www.apc.com/support.
 - Note the model number of the UPS, the serial number, and the date purchased. If you call APC Customer Service, a technician will ask you to describe the problem and attempt to solve it over the phone. If this is not possible, the technician will issue a Returned Material Authorization Number (RMA#).
 - If the UPS is under warranty, repairs are free.
3. Pack the UPS in its original packaging. If this is not available, refer to www.apc.com/support for information about obtaining a new set.
 - Pack the UPS properly to avoid damage in transit. Never use Styrofoam beads for packaging. Damage sustained in transit is not covered under warranty.
 - **Always DISCONNECT THE BATTERY before shipping in compliance with U.S. Department of Transportation (DOT), and IATA regulations.** The battery module(s) may remain in the UPS; it does not have to be removed.
4. Mark the RMA# on the outside of the package.
5. Return the UPS by insured, prepaid carrier to the address given to you by Customer Service.

Contact Information

U.S. Customers - Refer to www.apc.com/support.

International Customers - Refer to www.apc.com, select the appropriate country from the country selection field, and select the *Support* tab at the top of the web page.

7: REGULATORY AND WARRANTY INFORMATION

110/120 V models



警告使用者：
 這是甲類的資訊產品，在居住的
 環境中使用時，可能會造成射頻
 干擾，在這種情況下，使用者會
 被要求採取某些適當的對策。

This equipment has been tested and found to comply with the limits for a Class A digital device, pursuant to part 15 of the FCC Rules. These limits are designed to provide reasonable protection against harmful interference when the equipment is operated in a commercial environment. This equipment generates, uses, and can radiate radio frequency energy and, if not installed and used in accordance with the instruction manual, may cause harmful interference to radio communications. Operation of this equipment in a residential area is likely to cause harmful interference in which case the user will be required to correct the interference at his/her own expense.

Shielded signal cables must be used with this product to ensure compliance with the Class A FCC limits.

230 V models



This is a Class A product. In a domestic environment this product may cause radio interference, in which case the user may be required to take corrective actions.

EC Declaration of Conformity

Date of product declaration **2004**

We, the undersigned, declare under our sole responsibility that the equipment specified below conforms to the following standards and directives:

Standards to Which Conformity Declared:

EN62040-1-1; EN55022; EN55024;
 EN61000-3-2, 3-3, 4-2, 4-4, 4-5, 4-6, 4-8, 4-11;
 EN60950; IEC60950-1; EN 50091-2

Application of Council Directives:

73/23/EEC; 93/68/EEC; 89/336/EEC; 93/68/EEC

Type of Equipment:

PowerSupply

Model Numbers:

SC1000I, SC1500I

Importer's Name and Address:

American Power Conversion
 Ballybritt Business Park
 Galway, Ireland

Place: Ray S. Ballard Managing Director, Europe
 Galway, Ireland 5 Jan 04

Place: Richard J. Everett Sr. Regulatory Compliance Engineer
 N. Billerica, MA 5 Jan 04
 USA

Manufacturer's Name and Address:

American Power Conversion (A.P.C.)
 Ballybritt Business Park
 Galway, Ireland
 American Power Conversion
 132 Fairgrounds Rd.
 West Kingston, RI 02892 USA

APC (Suzhou) UPS Co.,Ltd
 339 Suhong Zhong Lu
 Suzhou Industrial Park
 Suzhou Jiangau 2215021
 P. R. China

American Power Conversion
 Lot 10, Block 16, Phase 4
 PEZA, Rosario, Cavite
 Philippines

APC India Pvt. Ltd.
 187/3, 188/3, Jigani Industrial Area
 Bangalore, 562106
 Kanataka
 India

APC Brasil LTDA.
 Al.Xingu, 850
 Barueri
 Alphaville/Sao Paulo
 06455-030
 Brazil

Limited Warranty

American Power Conversion (APC) warrants its products to be free from defects in materials and workmanship for a period of two years from the date of purchase. Its obligation under this warranty is limited to repairing or replacing, at its own sole option, any such defective products. To obtain service under warranty you must obtain a Returned Material Authorization (RMA) number from customer support. Products must be returned with transportation charges prepaid and must be accompanied by a brief description of the problem encountered and proof of date and place of purchase. This warranty does not apply to equipment that has been damaged by accident, negligence, or misapplication or has been altered or modified in any way. This warranty applies only to the original purchaser who must have properly registered the product within 10 days of purchase.

EXCEPT AS PROVIDED HEREIN, AMERICAN POWER CONVERSION MAKES NO WARRANTIES, EXPRESSED OR IMPLIED, INCLUDING WARRANTIES OF MERCHANTABILITY AND FITNESS FOR A PARTICULAR PURPOSE. Some states do not permit limitation or exclusion of implied warranties; therefore, the aforesaid limitation(s) or exclusion(s) may not apply to the purchaser.

EXCEPT AS PROVIDED ABOVE, IN NO EVENT WILL APC BE LIABLE FOR DIRECT, INDIRECT, SPECIAL, INCIDENTAL, OR CONSEQUENTIAL DAMAGES ARISING OUT OF THE USE OF THIS PRODUCT, EVEN IF ADVISED OF THE POSSIBILITY OF SUCH DAMAGE. Specifically, APC is not liable for any costs, such as lost profits or revenue, loss of equipment, loss of use of equipment, loss of software, loss of data, costs of substitutes, claims by third parties, or otherwise.

Entire contents copyright 2005 by American Power Conversion Corporation. All rights reserved. Reproduction in whole or in part without permission is prohibited.

APC, the APC logo, Smart-UPS, and PowerChute are registered trademarks of American Power Conversion Corporation. All other trademarks are the property of their respective owners.