



InfraStruXure™ Manager

Installation and
Configuration





This manual is available in English on the enclosed CD.

Dieses Handbuch ist in Deutsch auf der beiliegenden CD-ROM verfügbar.

Deze handleiding staat in het Nederlands op de bijgevoegde cd.

Este manual está disponible en español en el CD-ROM adjunto.

Ce manuel est disponible en français sur le CD-ROM ci-inclus.

Questo manuale è disponibile in italiano nel CD-ROM allegato.

本マニュアルの日本語版は同梱の CD-ROM からご覧になれます。

Instrukcja Obsługi w języku polskim jest dostępna na CD.

Инструкция по использованию на русском языке прилагается на диске (CD)

Contents

Product Description	1
Overview	1
Inventory	1
Receiving inspection	1
Please recycle	2
Disclaimer	2
Safety	3
Rack-mounting safety	3
Equipment containing a battery	3
Installation	4
Install the InfraStruXure Manager	4
Attach mounting brackets to the InfraStruXure Manager	4
Mount the InfraStruXure Manager and switch (or hub) in an enclosure	5
Communication Connection	7
Network overview	7
Connect network cables to InfraStruXure devices	7
Route network cables to the InfraStruXure Manager switch (or hub)	8
Install and route data cables (alternative routing)	8
Connect the InfraStruXure Manager and switch (or hub)	9
Connect the InfraStruXure Manager to your LAN	9
Apply power to the InfraStruXure Manager and switch (or hub)	10
Remove power from the InfraStruXure Manager and switch (or hub)	10
Initial Configuration	11
Configure the InfraStruXure Manager	11
Configure the InfraStruXure Manager from the Private Network (APC LAN)	11
Configure the InfraStruXure Manager from the Public Network (User LAN)	12
How to Restore Access to the InfraStruXure Manager Server ..	13
Enable Remote Monitoring	14

Product Information 16

APC InfraStruXure Manager front panel 16

Specifications 17

APC InfraStruXure Manager 17

RS-485 Pin-out (COM 2) 18

Configure a building management system 18

Life-Support Policy 19

General policy 19

Examples of life-support devices 19

Warranty and Service 20

Limited warranty 20

Warranty limitations 20

Obtaining service 20

USA—FCC 23

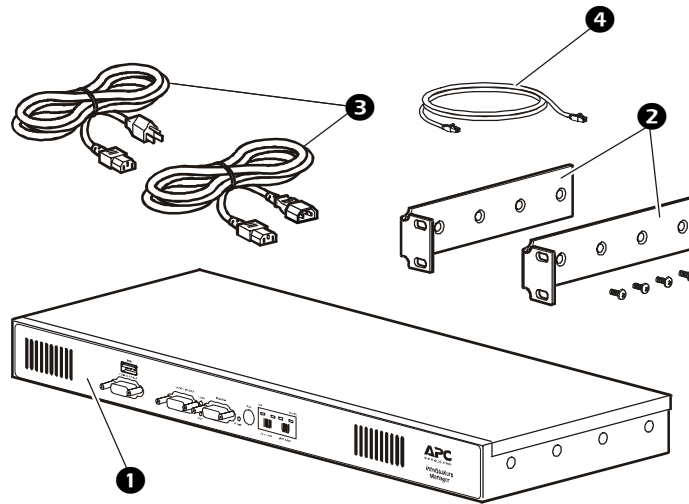
Canada—ICES 23

Japan—VCCI 23

Product Description

Overview

Inventory



- ➊ **APC® InfraStruXure™ Manager**—A 1U management device. The InfraStruXure Manager coordinates the management functions of other APC devices that provide for the management of InfraStruXure, other APC power distribution systems, and cooling solutions.
- ➋ **Rack-mount brackets**— Brackets used to install the InfraStruXure Manager in a standard, 19-inch (482 mm) enclosure or rack.
- ➌ **Power Cords**—NEMA 5-15P to IEC 320 C13 and an IEC 320 C13 to IEC 320 C14 power cord. Use the cord appropriate for your application.
- ➍ **Network Cable** — CAT-5 network cable.

Receiving inspection

Inspect the package and contents for shipping damage, and make sure that all parts were sent. Report any damage immediately to the shipping agent, and report missing contents, damage, or other problems immediately to APC or your APC reseller.

Please recycle



The shipping materials are recyclable. Please save them for later use, or dispose of them appropriately.

Disclaimer

American Power Conversion is not responsible for damage sustained during reshipment of this product.

Safety

Rack-mounting safety

The APC InfraStruXure Manager is shipped with rack-mounting brackets. Install the brackets in the appropriate position for your rack, and mount the unit. The unit is 1U high. If the unit is mounted in an enclosure instead of an open rack, the maximum ambient temperature in the enclosure should be no greater than 95° F (35° C).

- When you install equipment in the rack, make sure it does not interfere with the air flow required for safe operation for the equipment.
- When you mount equipment in the rack, make sure you do not cause a hazardous condition because of an uneven mechanical load.
- When you connect equipment to the supply circuit, avoid overloading the circuits, which could jeopardize over-current protection and damage the supply wiring. See ratings on the equipment nameplates for guidance.
- Maintain reliable earth grounding of the unit, particularly for supply connections (e.g., when PDUs that are not directly connected to the branch circuit are used).

Equipment containing a battery

This equipment contains a non-replaceable lithium coin cell battery.



Danger of explosion if the battery is incorrectly replaced. Call APC service for battery replacement. This battery must be replaced only with the same or equivalent type. The battery should be returned to APC for disposal.



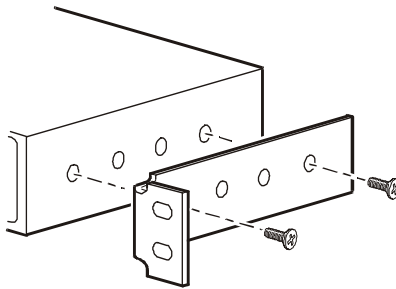
The InfraStruXure Manager contains no user-serviceable parts.

Installation

Install the InfraStruXure Manager

Attach mounting brackets to the InfraStruXure Manager

1. Attach the left and right mounting brackets to the InfraStruXure Manager, using two flat-head, #2 Phillips screws (provided) for each bracket.



See also

See the manufacturer's documentation for the switch (or hub) for specific installation instructions.

Mount the InfraStruXure Manager and switch (or hub) in an enclosure



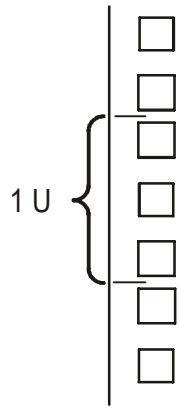
Note

This procedure describes how to install components in an APC NetShelter® enclosure. If you are installing components in a different enclosure, the procedure may vary.

Leave room above the switch (or hub) to route data cables.

To install the InfraStruXure Manager in a NetShelter enclosure:

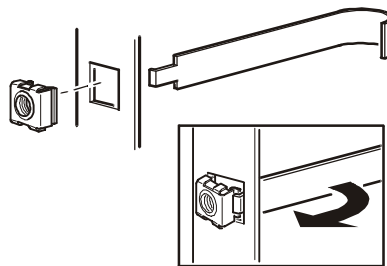
1. Insert caged nuts (provided with the enclosure) above and below the numbered holes on the vertical mounting rails



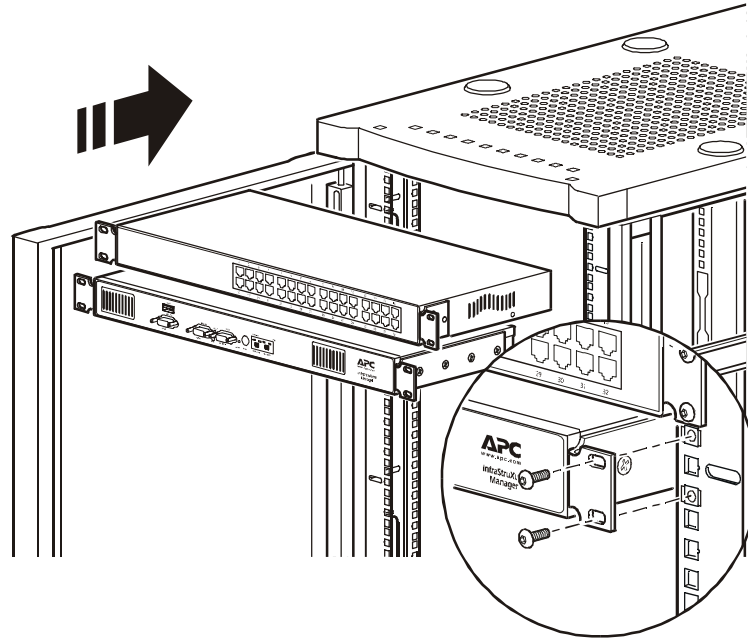
Warning

Install each caged nut horizontally. Do not install the caged nut vertically with the sides of the caged nut engaging the top and bottom of the square hole.

- a. Hook one side of the caged nut assembly through the far side of the hole.
- b. Insert the caged nut into the square hole
- c. Place the caged nut tool (provided) on the other side of the caged nut and pull to snap it into position.



2. Align the mounting holes on the brackets with the caged nuts you installed in step 1, and insert two mounting screws (provided with the enclosure) to secure the brackets to the enclosure.



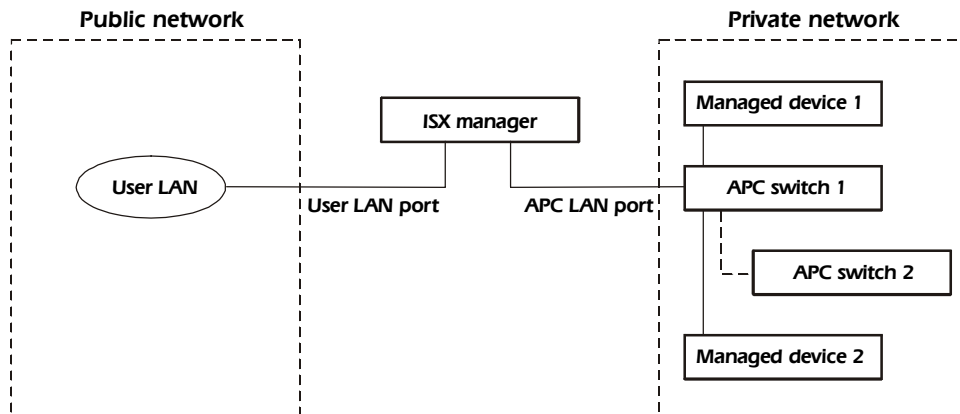
Note

The switch (or hub) and the InfraStruXure Manager are not required to be installed in the same rack, as they are in the installation described here.

Communication Connection

Network overview

The InfraStruXure Manager provides for the management of other networked APC devices. It connects to both your existing network (User LAN) and a private APC network (APC LAN) to manage connected APC devices. Use the APC LAN for APC devices whenever possible.



Connect network cables to InfraStruXure devices

1. Connect a CAT-5 network cable to the network port on each APC device or each APC device's management card.



Note

InfraStruXure Manager can manage any APC device with a network port.

2. Connect CAT-5 network cables to the ethernet ports on the Rack PDUs and on the monitoring unit in the InfraStruXure PDU.



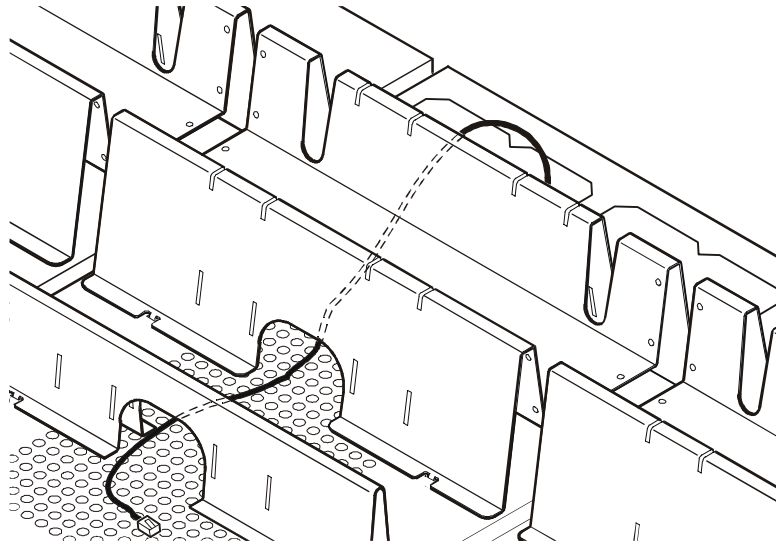
Note

If you are running PowerChute® Network Shutdown software with an InfraStruXure system's UPS that is connected to the private network, you must purchase a second Network Management card. Install this card in the second slot in the UPS and connect it to the public network. You do not need a second management card if the UPS is connected to the public network.

Route network cables to the InfraStruXure Manager switch (or hub)

Overhead routing. This section is for InfraStruXure system installations.

1. Ensure that the APC Shielding Partitions and Cable Ladders are installed on the NetShelter enclosures and the InfraStruXure PDUs.
2. Run the Cat-5 network cables (provided) from each APC device to the switch (or hub).



- a. Start with the device farthest from the switch (or hub), and use the longest supplied CAT-5 cable.
 - b. Bundle cables together and route the bundles in the data cable troughs along rows and across ladders, if necessary.
3. Connect each APC device's network cable to any available port on the switch (or hub).

Install and route data cables (alternative routing)



Note

If possible, route data cables overhead, as described in “Overhead routing” on this page. Using APC Shielding Partitions and Cable Ladders with your InfraStruXure system reduces problems related to induced voltages for data transmission.

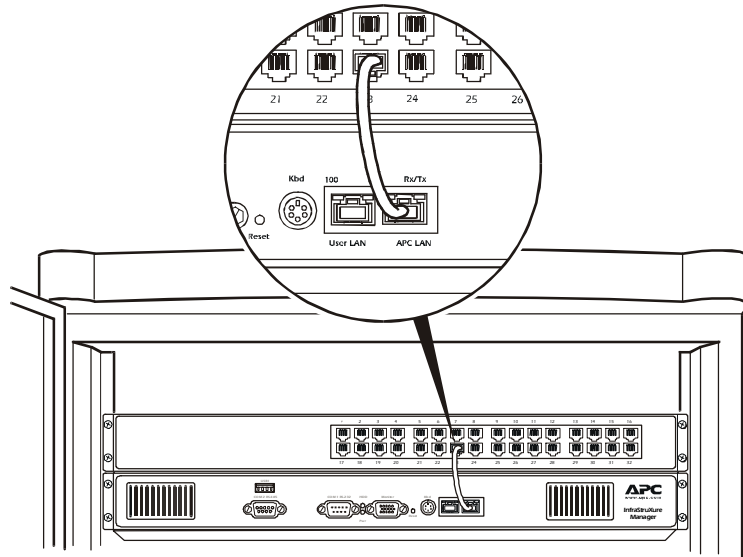
If you must route data cables under a raised floor:

- Do not route data cables inside an InfraStruXure PDU to the floor, either within the power cable conduit or in any other location. Induced voltages from the power cables may interfere with data transmission. Route data cables out the roof of the InfraStruXure PDU and down inside the first NetShelter enclosure to the floor.
- Induced voltages can also create problems under the floor when data cables are too close to any power cables. Even if data transmission is successful after the initial installation, later additions to power cabling under the floor for other equipment in your data center can jeopardize the integrity of the data transmission for your InfraStruXure system.

Connect the InfraStruXure Manager and switch (or hub)

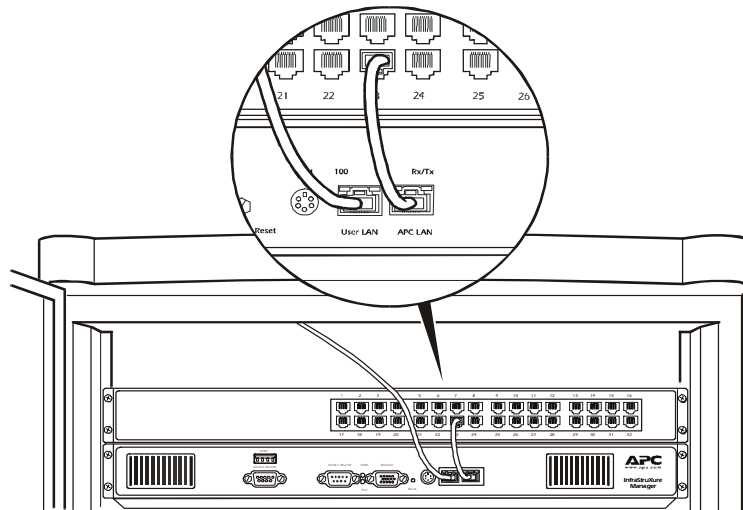
This section is for InfraStruXure system installations.

1. Connect the InfraStruXure Manager's **APC LAN** port to any network port on the hub, using the CAT-5 network jumper cable (provided).



Connect the InfraStruXure Manager to your LAN

1. Connect a port on your LAN to the InfraStruXure Manager's **User LAN** port.



2. Access the APC LAN.



See "Initial Configuration" on page 11.

Apply power to the InfraStruXure Manager and switch (or hub)

After you install the InfraStruXure Manager and switch (or hub) and make all of the communication connections, connect the power cords to a Rack PDU within the enclosure to apply power to the InfraStruXure Manager.

Remove power from the InfraStruXure Manager and switch (or hub)

If you need to remove power from the InfraStruXure Manager and switch (or hub), you must first shut down the manager from the client interface:

1. From the **System Management** menu, select **Server** and then **Shutdown or Reboot Server...**
2. In the **Shutdown or Reboot Server** window, select **Shut Down Server**, and click **OK**.
3. After the **HDD** LED has been inactive for 30 seconds, unplug the InfraStruXure Manager and switch (or hub) from the Rack PDU.

Initial Configuration

Configure the InfraStruXure Manager

To configure the InfraStruXure Manager for the first time you must connect to the manager and run the *APC InfraStruXure Manager Setup Wizard* on the client interface. You have two options for connecting to the manager:

- Connect from the private network (APC LAN) with a computer connected to the APC switch (or hub). This method is recommended if you do not know the IP address assigned to the InfraStruXure Manager on the public network (User LAN), or your network does not use a DHCP server to assign IP addresses.
- Connect from the public network (User LAN). You can use this method if you know the IP address assigned to the InfraStruXure Manager on the public network (User LAN).

Configure the InfraStruXure Manager from the Private Network (APC LAN)

1. Connect a computer to a network port on the APC switch (or hub). The computer must meet the following requirements:
 - It must be configured to automatically obtain an IP address (through DHCP).
 - It must be running TCP/IP as a network protocol.
 - The browser must be Microsoft® Internet Explorer, version 5.5 or higher.
2. Release and renew your computer's IP address to assign it an address on the APC LAN.
3. Open Microsoft Internet Explorer browser, version 5.5 or higher, and enter the APC LAN IP address for the InfraStruXure Manager:
 - Use 192.168.1.1 as the default IP address for the InfraStruXure Manager on the APC LAN.
 - Use 10.0.1.1 if, for any reason, you cannot use the default IP address above.
4. If the **Security Warning** appears, click **Yes** to download the *APC InfraStruXure Manager Client*.
5. When the **Server Log On** display appears, use **apc** (lowercase) for both the username and password, and click **Connect**.
6. In the **Confirm** display, click **Yes** to run the *APC InfraStruXure Manager Setup Wizard*.



Note

If you click **No**, you can run the wizard at any time. From the **System Management** menu, select the **Server** option and then select **Setup Wizard**.

7. On the **License Key** page of the wizard, enter the license key to enable the InfraStruXure Manager to manage APC devices on the private network (APC LAN) or discover and manage APC devices on the public network (User LAN).
8. When you are done configuring your InfraStruXure Manager, click **Finish** to close the Wizard.

Configure the InfraStruXure Manager from the Public Network (User LAN)

1. Connect a computer to the public network (User LAN).
2. Open Microsoft Internet Explorer browser, version 5.5 or higher, and enter the IP address assigned to the APC InfraStruXure Manager. Ask your network administrator or check the DHCP server for this IP address.
3. If the **Security Warning** appears, click **Yes** to download the *APC InfraStruXure Manager Client*.
4. When the **Server Log On** display appears, use **apc** (lowercase) for both the username and password, and click **Connect**.
5. In the **Confirm** display, click **Yes** to run the *APC InfraStruXure Manager Setup Wizard*.



Note

If you click **No**, you can run the wizard at any time. From the **System Management** menu, select the **Server** option and then select **Setup Wizard**.

6. On the **License Key** page of the wizard, enter the license key to enable the InfraStruXure Manager to manage APC devices on the private network (APC LAN) or discover and manage APC devices on the public network (User LAN).
7. When you are done configuring your InfraStruXure Manager, click **Finish** to close the Wizard.

How to Restore Access to the InfraStruXure Manager Server

If the username or password used for local, Administrator access becomes unknown, or **RADIUS only** is selected in the “Authentication Settings” display and a RADIUS server is unavailable, you can use the following procedure to restore access to the InfraStruXure Manager server.

1. Connect a computer to the hub on the private network. That computer must have the InfraStruXure Manager client installed. If it does not, connect to the InfraStruXure Manager server and select to install the client, when prompted.
2. Reboot the InfraStruXure Manager server.



Note

This may require physically disconnecting and reconnecting InfraStruXure Manager at its input power source.

3. Use the InfraStruXure Manager client (step 1) to connect to the InfraStruXure Manager server.
4. When the “Server Log On” display appears, use `admin` (lowercase) as the **Username**, and `apc` (lowercase) as the **Password**, to log on to the server.



Note

If a logon attempt fails, try again; the InfraStruXure Manager server may not have finished restarting. After the “Server Log On” display appears, you must log on within about eight minutes, or you must repeat step 1 through step 4.

5. Select **Authentication Settings** in the **System Management Menu** to correct the problem that required using this procedure:
 - Click **Configure Local Users** to use the “Configure local users” display to define a username and password for Administrator access.
 - Change the **Authentication Method** setting to **Local only**.

Enable Remote Monitoring

APC can monitor your InfraStruXure Manager and the devices it manages, and notify you of events via e-mail, pager, or phone. If you decide to use APC's Remote Monitoring Service (RMS), follow these steps:

1. From the **Event Management** menu, select **Remote Monitoring Service**
2. In the **APC Remote Monitoring Service Registration** window, Click the **RMS Settings...** button at the lower-right.



3. In the **Access RMS Settings** window, click the **New RMS Customer** button, unless you have already registered for RMS.



4. In the **RMS Settings** window, fill in all of the required fields on the **Contact Information** and **Company Information** tabs, and then click **Save**.

The screenshot shows the 'RMS Settings' dialog box. It has a title bar with 'RMS Settings' and a close button. Below the title bar, it says 'RMS Settings' and 'Configure the RMS company and contact information, then click "Save"'. There are two tabs: 'Contact Information' and 'Company Information'. The 'Contact Information' tab is selected. It contains four required fields: 'Email', 'Password', 'Retype Password', and 'Host'. The 'Company Information' tab contains five required fields: 'First Name', 'Last Name', 'Title', 'Phone Number', and 'Phone Type'. At the bottom of the dialog are 'Save' and 'Cancel' buttons.

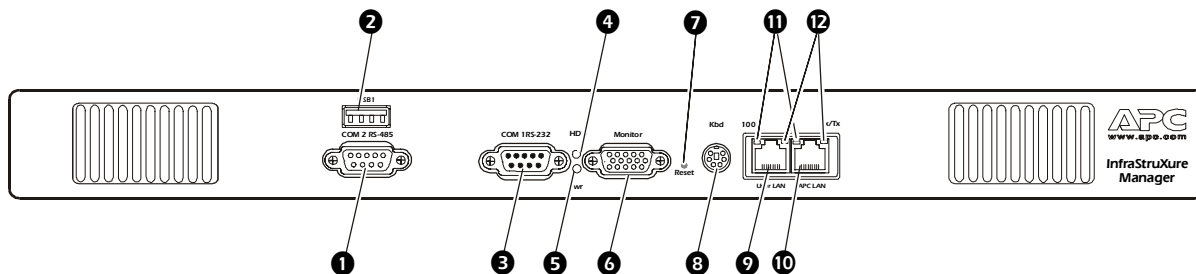
5. Click **OK** to return to the **APC Remote Monitoring Service Registration** window.



6. In the **APC Remote Monitoring Service Registration** window, select the **Enable APC's Remote Monitoring Service** check box, and click **Apply**.
7. Visit **<http://rms.apcc.com>** to complete the RMS configuration.

Product Information

APC InfraStruXure Manager front panel



Item	Function	
1	COM 2 RS-485	RS-485 port that allows integration with a Building Management System using the MODBUS® protocol.
2	USB 1	Universal Serial Bus port (USB 1.1).
3	COM 1 RS-232	RS-232 port.
4	HDD	Hard disk drive LED. When this LED is amber, the disk is being accessed.
5	Pwr	Power LED. When this LED is green, the InfraStruXure Manager is receiving input power.
6	Monitor	VGA monitor port, reserved for future use.
7	Reset	Switch that restarts the APC InfraStruXure Manager.
8	Kbd	PS/2 Keyboard port, reserved for future use.
9	User LAN	Ethernet port for connecting to the user's network.
10	APC LAN	Ethernet port for connecting to the private APC network.
11	100	Speed LED: Off indicates the network is operating normally at 10 Mbps. Amber indicates the network is operating normally at 100 Mbps.
12	Rx/Tx	Rx/Tx LED: Flashing green indicates activity on the port. Off indicates that there is no activity on the port.

Specifications

APC InfraStruXure Manager

Electrical

Input	100–240 VAC; 50/60 Hz; 0.7 A
-------	------------------------------

Physical

Dimensions (H × W × D)

Unit	1.75 × 17.0 × 6.75 in (4.5 × 43.2 × 17.2 cm)
Shipping	8.5 × 22.75 × 13.25 in (21.5 × 57.78 × 33.65 cm)

Weight

Unit	6.6 lb (3.0 kg)
Shipping weight	11.5 lb (5.2 kg)

Environmental

Temperature

Operating	41 to 95° F (5 to 35 °C)
Storage	5 to 122° F (–15 to 50° C)

Elevation

Operating	10 000 ft (3000 m) above MSL
-----------	------------------------------

Humidity

Operating	5–95% RH, non-condensing
Storage	5–95% RH, non-condensing

Compliance

Approvals	UL, cUL, VDE, FCC Class A, AS/NZS 3548 Class A, VCCI Class A, ICES-003 Class A, EN55022, EN55024, EN 61000-3-2, EN 61000-3-3, EN60950, CE
-----------	---

RS-485 Pin-out (COM 2)

COM 2 RS-485 Pin	RS-485 Signal
1	—
2	Do not connect
3	RxD/TxD +
4	Reserved
5	—
6	Reserved
7	Do not connect
8	RxD/TxD –
9	—
Shell	Chassis GND



Note

The COM 2 RS-485 port is not equipped with terminating, ground current limiting, or pull-up resistors. The installer must provide them.

Configure a building management system

To configure the MODBUS[®]-RTU building management system interface, select **Build Management System...** from the **Event Management** menu.

Life-Support Policy

General policy

American Power Conversion (APC) does not recommend the use of any of its products in the following situations:

- In life-support applications where failure or malfunction of the APC product can be reasonably expected to cause failure of the life-support device or to affect significantly its safety or effectiveness.
- In direct patient care.

APC will not knowingly sell its products for use in such applications unless it receives in writing assurances satisfactory to APC that (a) the risks of injury or damage have been minimized, (b) the customer assumes all such risks, and (c) the liability of American Power Conversion is adequately protected under the circumstances.

Examples of life-support devices

The term *life-support device* includes but is not limited to neonatal oxygen analyzers, nerve stimulators (whether used for anesthesia, pain relief, or other purposes), autotransfusion devices, blood pumps, defibrillators, arrhythmia detectors and alarms, pacemakers, hemodialysis systems, peritoneal dialysis systems, neonatal ventilator incubators, ventilators (for adults and infants), anesthesia ventilators, infusion pumps, and any other devices designated as “critical” by the U.S. FDA.

Hospital-grade wiring devices and leakage current protection may be ordered as options on many APC UPS systems. APC does not claim that units with these modifications are certified or listed as hospital-grade by APC or any other organization. Therefore these units do not meet the requirements for use in direct patient care.

Warranty and Service

Limited warranty

APC warrants the InfraStruXure Manager to be free from defects in materials and workmanship for a period of two years from the date of purchase. Its obligation under this warranty is limited to repairing or replacing, at its own sole option, any such defective products. This warranty does not apply to equipment that has been damaged by accident, negligence, or misapplication or has been altered or modified in any way. This warranty applies only to the original purchaser.

Warranty limitations

Except as provided herein, APC makes no warranties, expressed or implied, including warranties of merchantability and fitness for a particular purpose. Some jurisdictions do not permit limitation or exclusion of implied warranties; therefore, the aforesaid limitation(s) or exclusion(s) may not apply to the purchaser.

Except as provided above, in no event will APC be liable for direct, indirect, special, incidental, or consequential damages arising out of the use of this product, even if advised of the possibility of such damage.

Specifically, APC is not liable for any costs, such as lost profits or revenue, loss of equipment, loss of use of equipment, loss of software, loss of data, costs of substitutes, claims by third parties, or otherwise. This warranty gives you specific legal rights and you may also have other rights, which vary according to jurisdiction.

Obtaining service

To obtain support for problems with your InfraStruXure Manager:

1. Note the serial number and date of purchase. Obtain the serial number from the rear of the box, or from the **About** option of the **Help** menu.
2. Contact Customer Support at a phone number on the back cover of this manual. A technician will try to help you solve the problem by phone.
3. If you must return the product, the technician will give you a return material authorization (RMA) number. If the warranty expired, you will be charged for repair or replacement.
4. Pack the unit carefully. The warranty does not cover damage sustained in transit. Enclose a letter with your name, address, RMA number and daytime phone number; a copy of the sales receipt; and a check as payment, if applicable.
5. Mark the RMA number clearly on the outside of the shipping carton.
6. Ship by insured, prepaid carrier to the address provided by the Customer Support technician.

Radio Frequency Interference



Changes or modifications to this unit not expressly approved by the party responsible for compliance could void the user's authority to operate this equipment.

USA—FCC

This equipment has been tested and found to comply with the limits for a Class A digital device, pursuant to part 15 of the FCC Rules. These limits are designed to provide reasonable protection against harmful interference when the equipment is operated in a commercial environment. This equipment generates, uses, and can radiate radio frequency energy and, if not installed and used in accordance with this user manual, may cause harmful interference to radio communications. Operation of this equipment in a residential area is likely to cause harmful interference. The user will bear sole responsibility for correcting such interference.

Canada—ICES

This Class A digital apparatus complies with Canadian ICES-003.

Cet appareil numérique de la classe A est conforme à la norme NMB-003 du Canada.

Japan—VCCI

This is a Class A product based on the standard of the Voluntary Control Council for Interference by Information Technology Equipment (VCCI). If this equipment is used in a domestic environment, radio disturbance may occur, in which case, the user may be required to take corrective actions.

この装置は、情報処理装置等電波障害自主規制協議会（VCCI）の基準に基づくクラス A 情報技術装置です。この装置を家庭環境で使用すると、電波妨害を引き起こすことがあります。この場合には、使用者が適切な対策を講ずるように要求されることがあります。



APC Worldwide Customer Support

Customer support for this or any other APC product is available at no charge in any of the following ways:

- Visit the APC Web site to access documents in the APC Knowledge Base and to submit customer support requests.
 - **www.apc.com** (Corporate Headquarters)
Connect to localized APC Web sites for specific countries, each of which provides customer support information.
 - **www.apc.com/support/**
Global support searching APC Knowledge Base and using e-support.
- Contact an APC Customer Support center by telephone or e-mail.
 - Regional centers:

Direct InfraStruXure Customer Support Line	(1)(877)537-0607 (toll free)
APC headquarters U.S., Canada	(1)(800)800-4272 (toll free)
Latin America	(1)(401)789-5735 (USA)
Europe, Middle East, Africa	(353)(91)702000 (Ireland)
Japan	(0) 3 5434-2021
Australia, New Zealand, South Pacific area	(61) (2) 9955 9366 (Australia)

- Local, country-specific centers: go to **www.apc.com/support/contact** for contact information.

Contact the APC representative or other distributor from whom you purchased your APC product for information on how to obtain local customer support.

Entire contents copyright © 2004 American Power Conversion. All rights reserved. Reproduction in whole or in part without permission is prohibited. APC, the APC logo, NetShelter, PowerChute, and InfraStruXure are trademarks of American Power Conversion Corporation and may be registered in some jurisdictions. All other trademarks, product names, and corporate names are the property of their respective owners and are used for informational purposes only.

